

PRIKAZANO JE OKNO ACRYAL 900X550 NA RAVNI STENI. (ACRYAL window 900x550 on a flat wall is shown.)

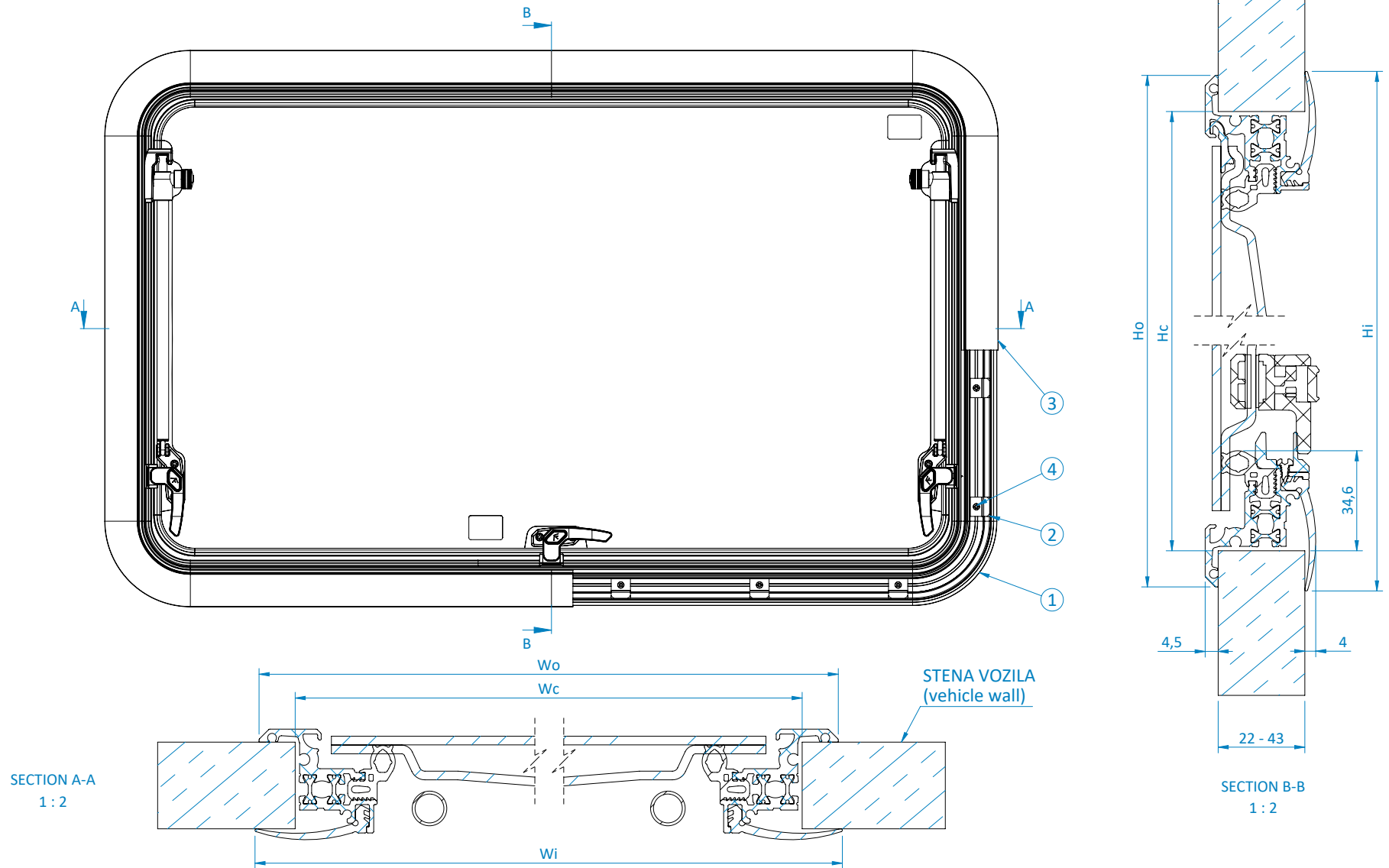
OKNA SE RAZLIKUJEJO OD PRIKAZANEGA GLEDE NA NAZIVNO DIMENZIJO IN IZBRANO KONFIGURACIJO. ŠTEVILKA ARTIKLA IN LISTA REZERVNIH DELOV STA NA VOLJO PO KONFIGURACIJI OKNA.

(Windows differ from the drawing depending on nominal size and chosen configuration. Part number and spare parts list are available after window configuration.)

PRIKAZANE KOMPONENTE SO NAPRODAJ LOČENO. PRED PRIČETKOM MONTAŽE OKNA SE PREPRIČAJTE, DA IMATE VES POTREBEN MATERIAL.

(Components shown are sold separately. Please make sure you have all the necessary materials before you begin installation.)

SESTAVA NA VOZILU. ZA PODROBEN POSTOPEK PREBERITE NAVODILA ZA VGRADNJO. (Assembly on vehicle. Read installation instructions for the detailed process.)



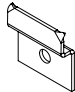


ITEM NO.	DESCRIPTION
1	UO ACRYAL OKNO (ACRYAL window)
2	PRITRDILO (fastening clip)
3	AMBIENTALNI TRAK (ambiental strip)
4	PRITRDIJNI VIJAK (fastening screw)



Description	Revision
PRODUCT DRAWING - SERIES ACRYAL	V3
Drawing no. 0005 01X01 KPL	Sheet format A4 Date of revision 26.02.2026
Copyright: Without prior consent of Acryform d.o.o. this technical document must not be copied, duplicated or transmitted in any manner to a third party. This document and the information contained therein are confidential and property of Acryform d.o.o. (protection according to DIN ISO 14016 claimed). Acryform d.o.o. reserves the right to modify this drawing without prior notification. Unless stamped and signed this is an uncontrolled copy and will not be updated. You are responsible for ensuring you have the latest issue. Dimensions without tolerances are informative and non-binding.	

NAZIVNA DIMENZIJA (nominal size)			ODPRTINA NA STENI (wall cut-out) +1,5/-0		NOTRANJA DIMENZIJA (inside strip)		ZUNANJI OKVIR (outside frame)		KOT ODPIRANJA (opening angle) +0/-3	ŠT. PRITRDIL IN VIJAKOV (no. of clips and screws)	DOLŽINA AMBIENT. TRAKU (ambiental strip length) [m]	INFO. TEŽA (info. weight) [kg]	ZASILNI IZHOD (emergency exit) EN 1645-1 EN 1646-1
			Wc	Hc	Wi	Hi	Wo	Ho					
1	900 x 550	FLAT	900	550	928	578	925	575	75°	20	2,7	5,8	✓
2	750 x 465	R5000	750	465	778	493	775	490		18	2,2	4,6	
3	850 x 550	FLAT	850	550	878	578	875	575		20	2,6	5,5	✓
4	500 x 300	FLAT	500	300	528	328	525	325		12	1,4	2,2	
5	550 x 550	FLAT	550	550	578	578	575	575		16	2,0	3,8	
6	300 x 450	R5000	300	450	328	478	325	475	66°	10	1,3	2,1	
7	818 x 315	R5000	818	315	846	343	843	340	75°	18	2,1	4,0	
8	490 x 500	R5000	490	500	518	528	515	525	66°	14	1,8	3,3	
9	700 x 400	FLAT	700	400	728	428	725	425		18	2,0	3,7	

Teža podsklopov (weight of subassemblies)

	Opis (description)	Teža (weight)
	Pritrdilo (mounting bracket)	3,9g/pc
	Vijak pritrdila (screw for mounting bracket)	<1g/pc
	Ambientalni trak (ambiental strip)	200g/m(length)



Description	PRODUCT DRAWING - SERIES ACRYAL		Revision	V3
Drawing no.	0005 01X01 KPL		Sheet format	A4
Copyright: Without prior consent of Acryform d.o.o. this technical document must not be copied, duplicated or transmitted in any manner to a third party. This document and the information contained therein are confidential and property of Acryform d.o.o. (protection according to DIN ISO 14016 claimed). Acryform d.o.o. reserves the right to modify this drawing without prior notification. Unless stamped and signed this is an uncontrolled copy and will not be updated. You are responsible for ensuring you have the latest issue. Dimensions without tolerances are informative and non-binding.			Date of revision	26.02.2026